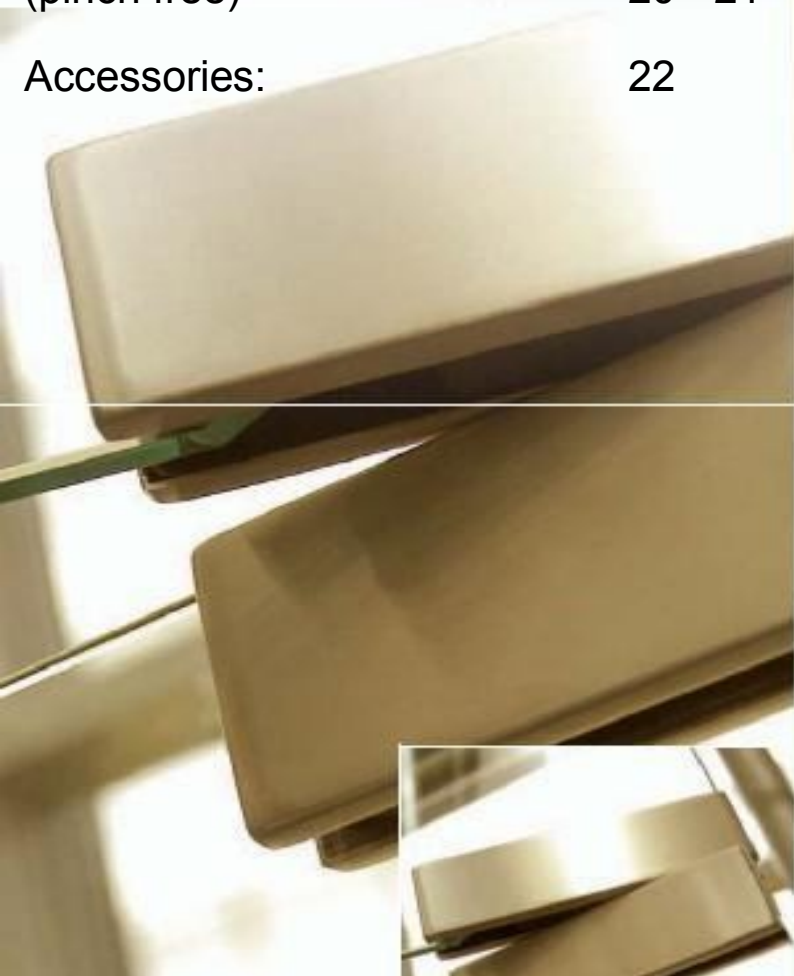




Double Action Patch Fittings

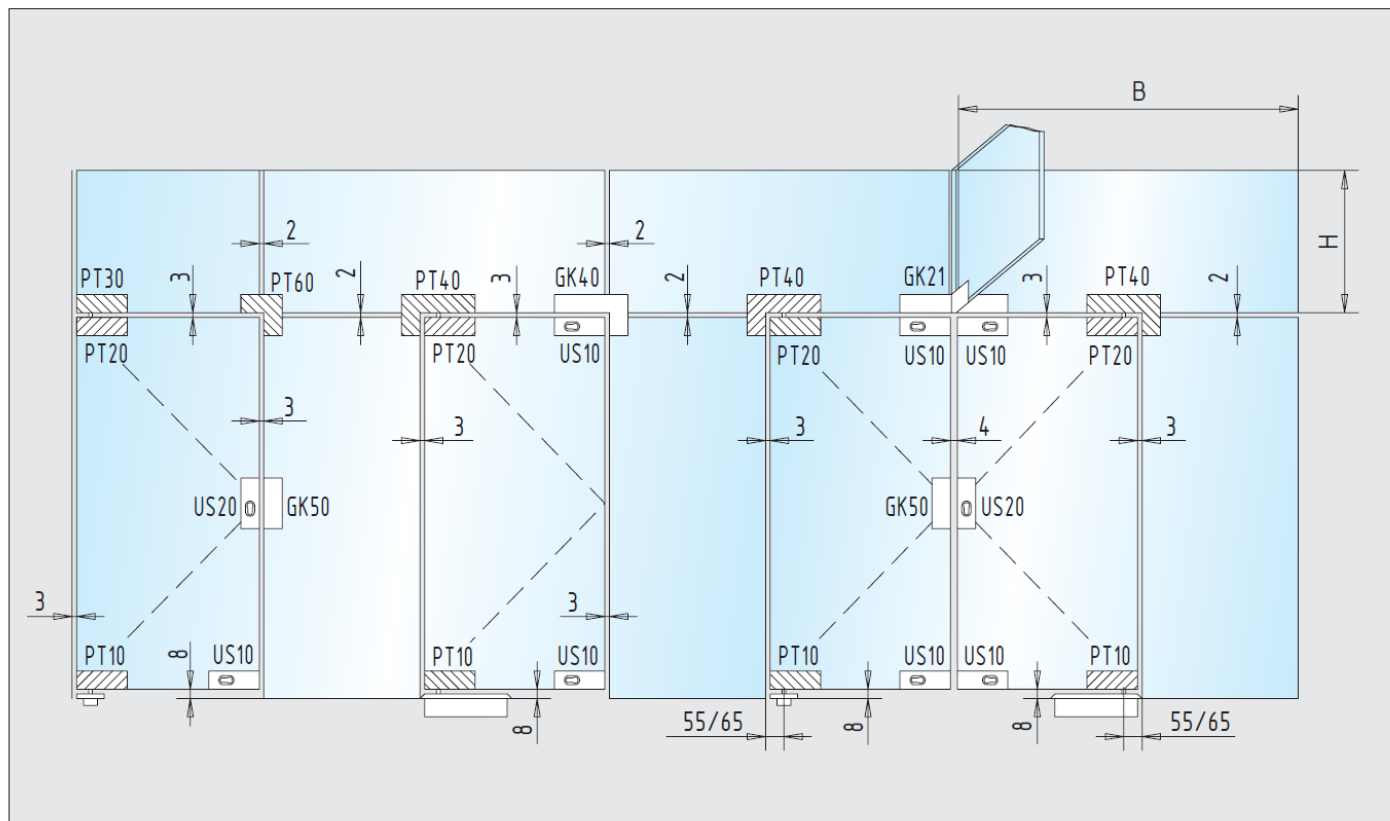
Contents

Technical Details	3 - 8
Materials & surface finishes	9
Patch Fittings - 55/65mm pivot	10 – 13
Transom/Sidepanel	14 – 15
Transom Connectors	16 – 17
Glass/ Glass Connectors	18
Connectors	19
Patch Fittings - 15mm pivot (pinch free)	20 - 21
Accessories:	22



Summary and position

55/65 mm pivot point



All-glass constructions with stabilizing fins:

Stabilizing fins should be used on any all-glass assembly when the following conditions apply:

Formula:

$$B + H \geq 1.400 \text{ mm}$$

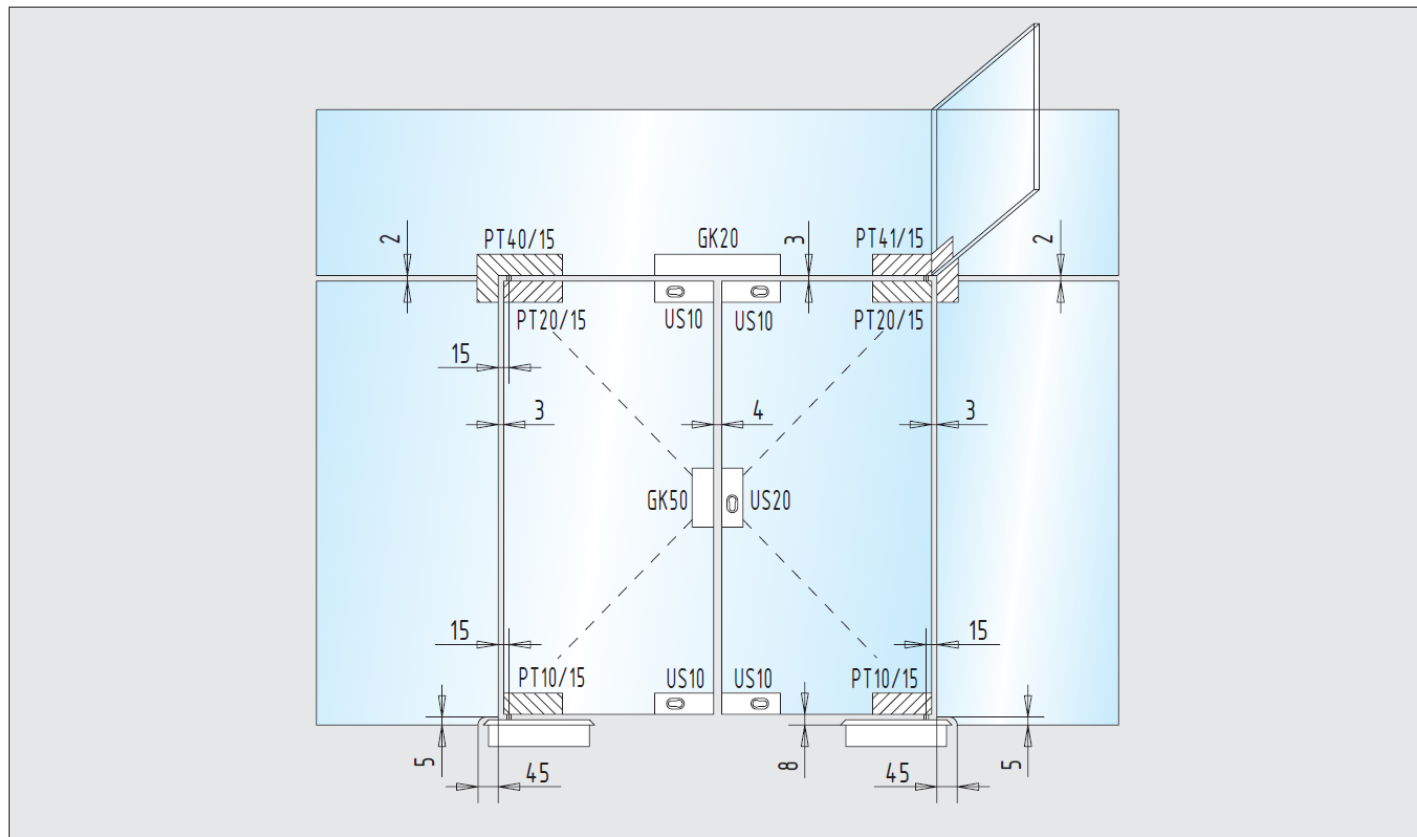
For information regarding the correct size and installation of a stabilizing fin please refer to a specialist glazing contractor.

Information:

When specifying, installing patch fittings please ensure all local, national, international and manufactures regulations and guidelines are complied with.

Summary and position

15 mm pivot point (pinch free)



Information:

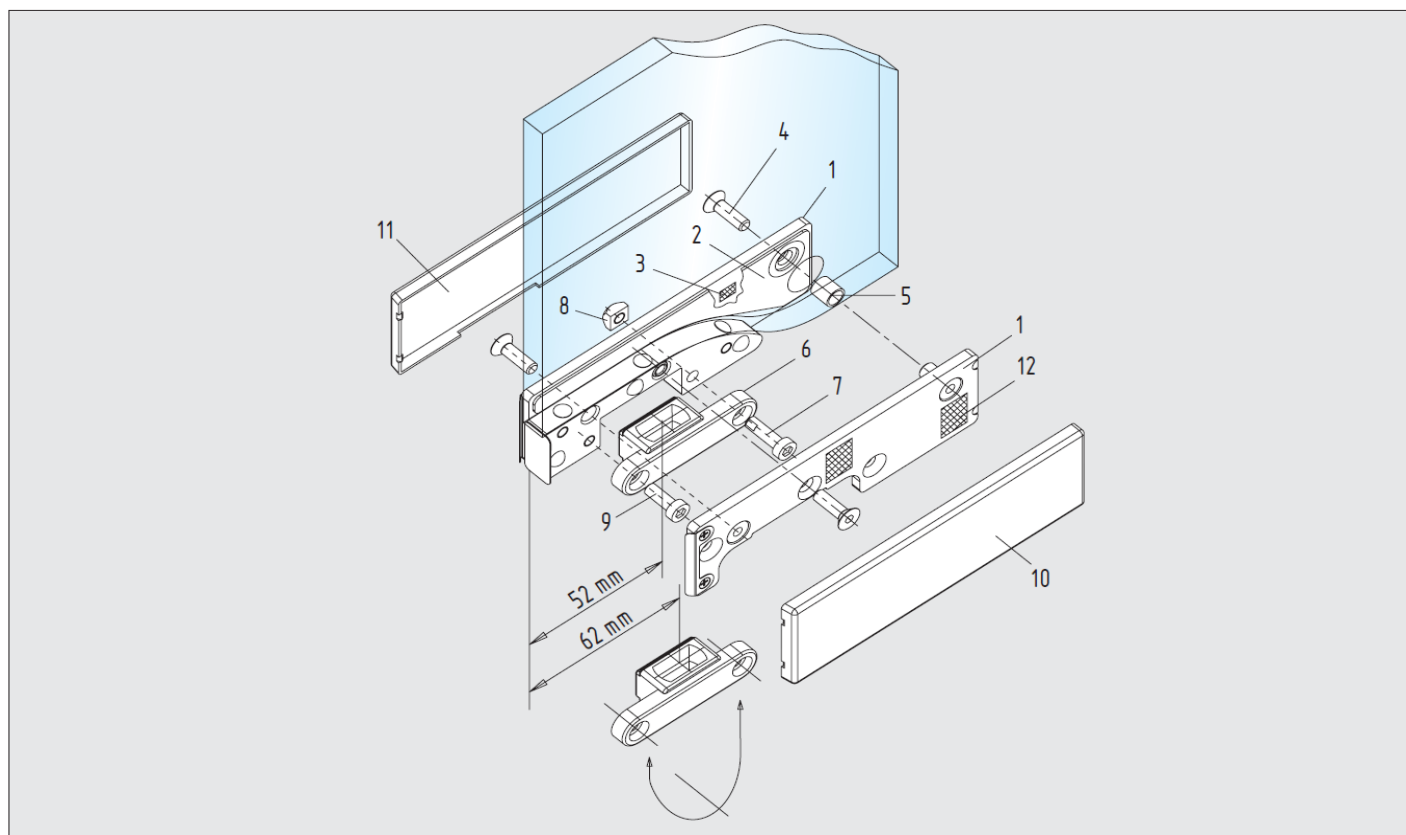
Pinch free patch fittings are specifically designed for use in hospitals, nursing homes, residential homes, schools and areas where a reduced pivot point is required.

The maximum door weight should not exceed 80 kg.

For all glass assemblies a notch of 45 mm x 5 mm should be made in the sidepanel to enable the floorspring to be installed correctly. A similar provision should be made when installing doors adjacent to a brickwork jamb.

Pivot patch fittings

Technical details



Assembly information

1. Glass and gaskets have to be dust- and grease free
 2. Select the appropriate gaskets according to glass thickness
 3. Assemble base fittings on glass door leaf
 4. Locate the pivot insert (select pivot point)
 5. Covers to be clipped on assembled base fittings
- Assembly instructions are enclosed with the fittings

Components

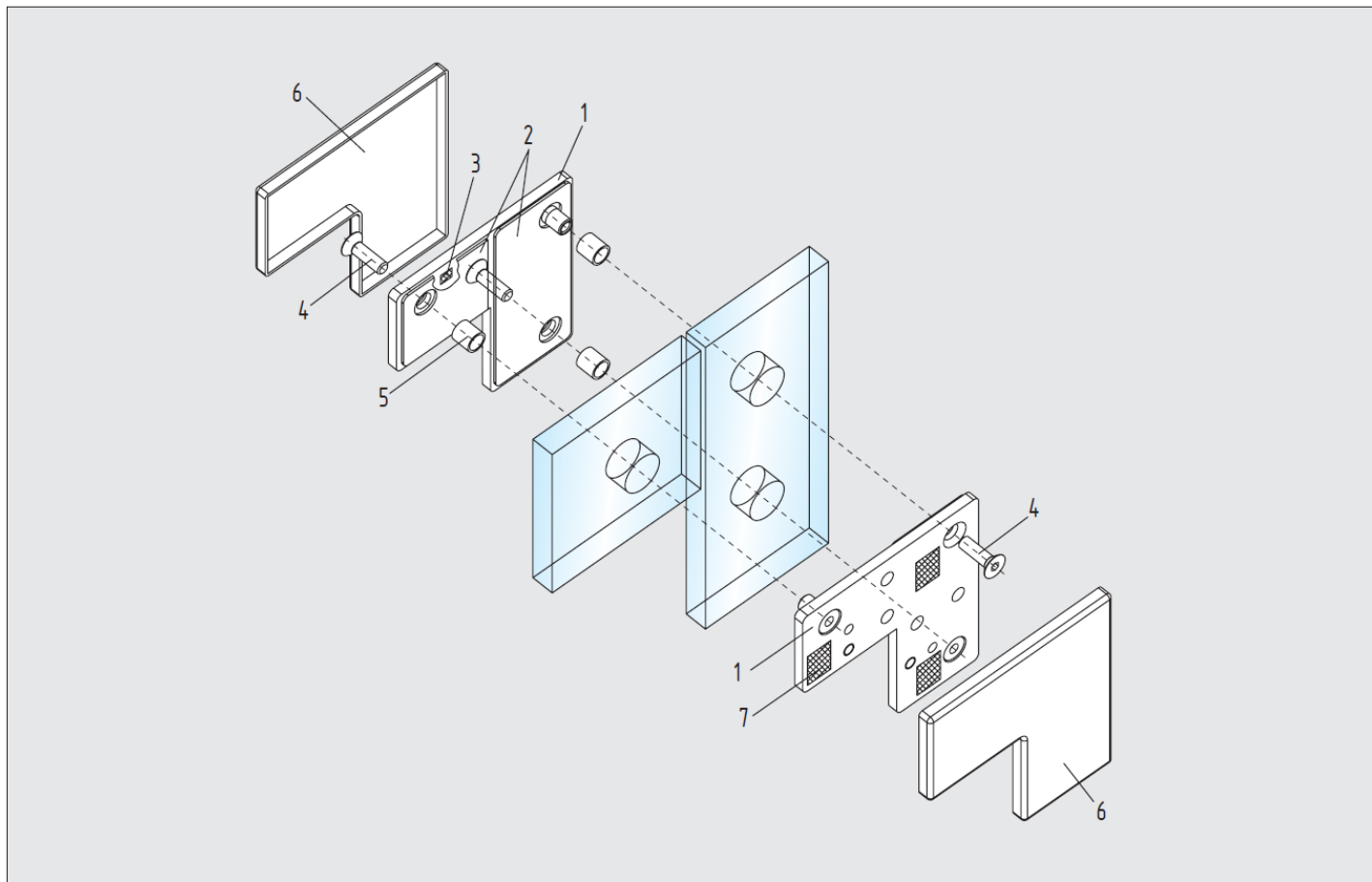
- | | |
|---------------------|------------------|
| 1 base fittings | 7 fixing screw |
| 2 gaskets | 8 nut |
| 3 adhesive pads | 9 fixing screw |
| 4 fixing screws | 10 cover |
| 5 isolation sleeves | 11 cover |
| 6 pivot insert | 12 adhesive pads |

Technical Features

- Suitable for 8 - 12 mm thick glass as standard
- 15 and 19 mm also available as standard
- 15, 55 and 65 mm pivot point available as standard
- Standard glass preparation details
- Covers in aluminium, brass and stainless steel
- Base fittings manufactured from solid steel - black coated
- Stainless steel screws M6 (torque setting 10 Nm)
- Tested to more than 1.000.000 closing cycles
- Patented innovation
- **max. size: 1.200 x 2.800 mm** (55/65 mm pivot pin),
max. weight: 120 kg (bottom and top pivot patch fitting)
- **max. size: 1.400 x 2.800 mm** (55/65 mm pivot pin),
max. weight: 140 kg (bottom door rail and top pivot patch fitting)
- Please contact our technical department for assistance when specifying pinch free doors using a bottom door rail and top pivot patch fitting.

Connection patch fittings

Technical details



Assembly information

1. Glass and gaskets have to be dust- and grease free
 2. Select the appropriate gaskets according to glass thickness
 3. Assemble base fittings on glass door leaf
 4. Covers to be glued on assembled base fittings
- Assembly instructions are enclosed with the fittings

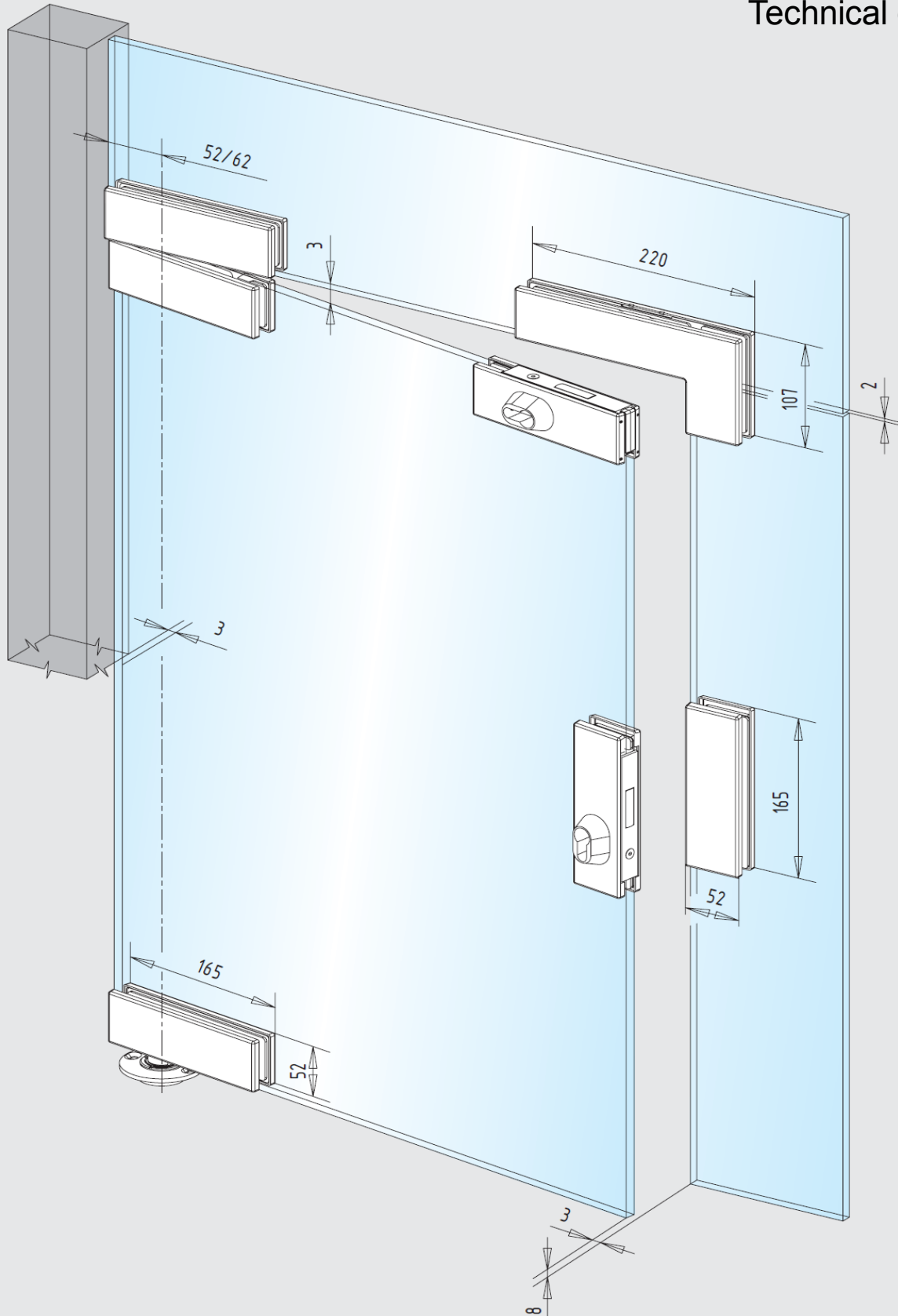
Components

- | | |
|---------------------|-----------------|
| 1 base fittings | 6 covers |
| 2 gaskets | 7 adhesive pads |
| 3 adhesive pads | |
| 4 fixing screws | |
| 5 isolation sleeves | |

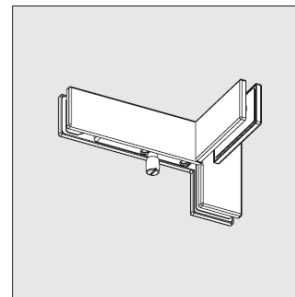
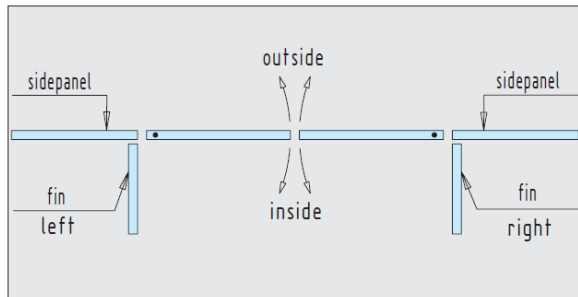
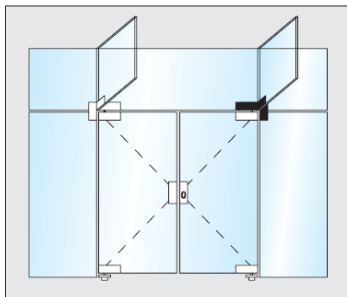
Technical Features

- Suitable for 8 - 15 mm thick glass as standard
- 19 mm also available as standard
- Standard glass preparation details
- Covers in aluminium, brass and stainless steel
- Base fittings manufactured from solid steel - black coated
- Stainless steel screws M6 (torque setting 10 Nm)
- Tested to more than 1.000.000 closing cycles
- Patented innovation

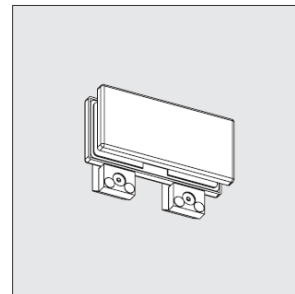
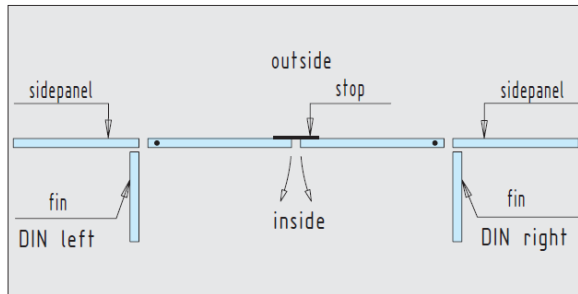
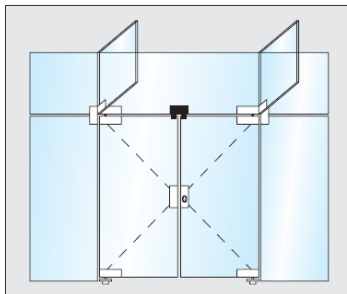
Technical details



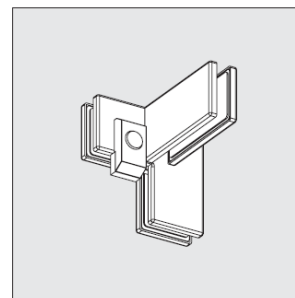
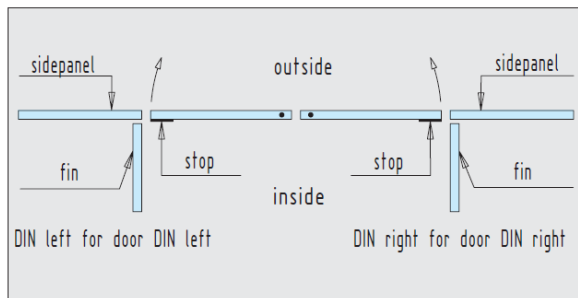
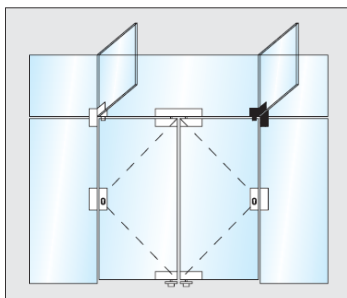
Handing of the patch fittings with fin and stop is determined by viewing from inside and above.



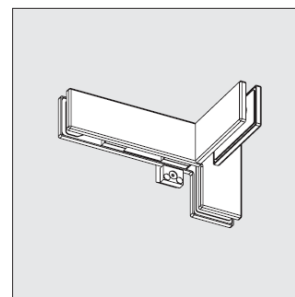
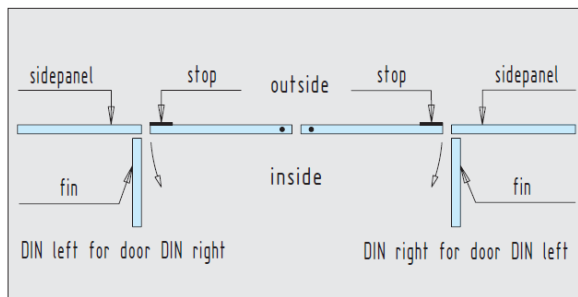
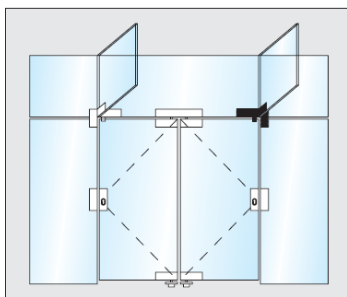
drawing shows "right" fin mounted on the inside



drawing shows "stop on the outside"



drawing shows "right" stop and fin mounted on the inside



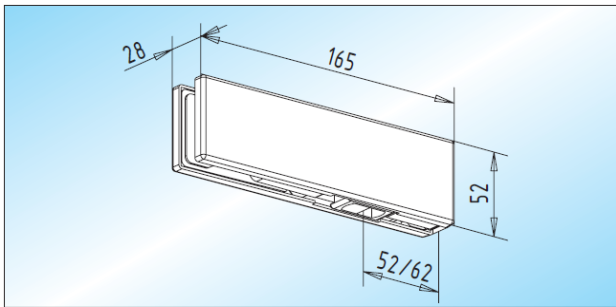
drawing shows "right" stop on the outside / fin on the inside

Materials and surface finishes

Materials	Surface finishes code	Double action door patch fittings
Aluminium	mill finish ... 105	●
	E4/C-0 silver ... 112	●
	RAL 9010 pure white ... 250	●
	RAL 9016 traffic white ... 255	●
	E4/S5/EV 5 similar gold ... 132	●
	E4/C 34 dark bronze ... 152	●
	E4/C 31 similar stainless steel ... 137	●
	special anodized ... 199	●
	RAL coated ... 295	●
Brass	polished ... 318	●
	matt brushed ... 328	●
	satin chrome ... 372	●
	polished chrome ... 374	●
	velour nickel plated ... 376	●
Stainless Steel	satin ... 426	●
	polished ... 416	●

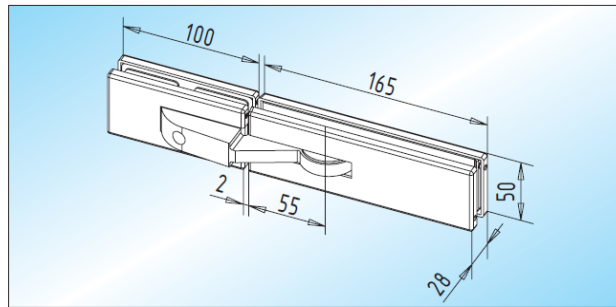
Information:

When using top patch fittings PT 28 / PT 29 in brass or stainless steel the pivot lever arm and wall fixing plate (where applicable) will be supplied in aluminium. These items will be supplied with a surface finish to match the main coverplates.



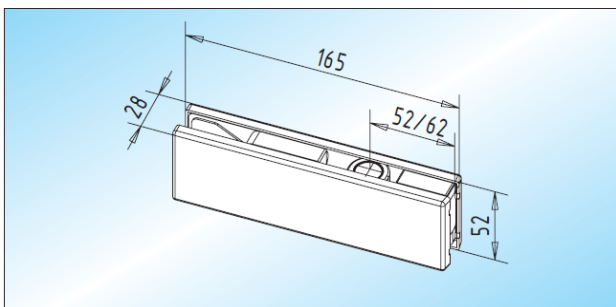
PT10 - Bottom pivot patch fitting
bottom pivot patch fitting with insert
to suit flat-tapered floor spring spindle

Glass	
8-12 mm	30.100.0600.
15 mm	30.100.1200.
19 mm	30.100.1300.



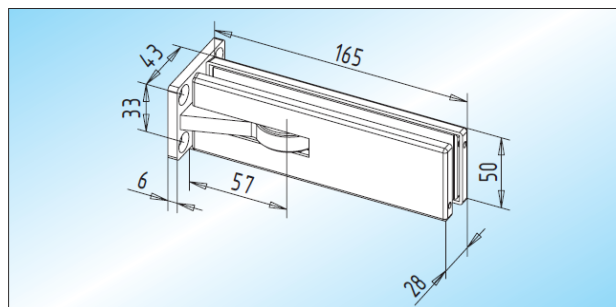
PT 28 - Top pivot patch fitting / glass-glass
top pivot patch fitting to suit Roman arch doors with
glass sidepanel, **only for 10 mm glass and 55 mm pivot**
point, max. 35 kg door weight when used as a pair

Glass	
10 mm	30.106.0900.



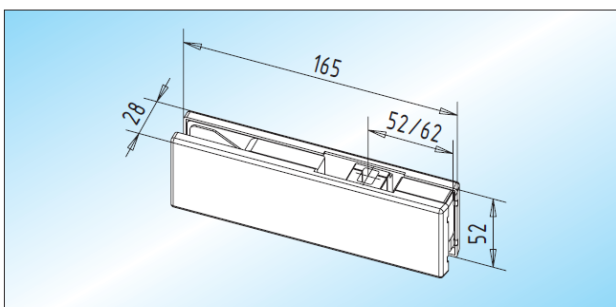
PT 20 - Top pivot patch fitting
top pivot patch fitting with insert
for ø 15 mm pivot pin

Glass	
8-12 mm	30.102.0600.
15 mm	30.102.1200.
19 mm	30.102.1300.



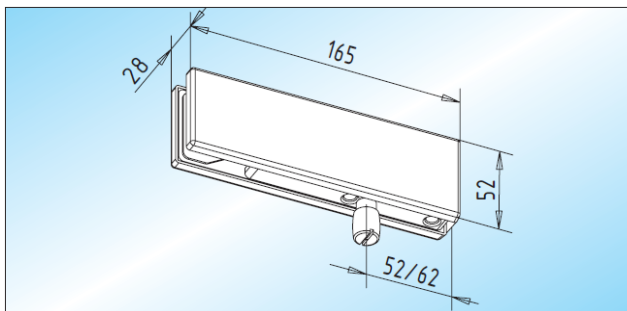
PT 29 - Top pivot patch fitting / glass-wall
top pivot patch fitting to suit Roman arch doors,
with wall fixing plate, **only for 10 mm glass and**
55 mm pivot point, max. 35 kg door weight
when used as a pair

Glass	
10 mm	30.108.0900.



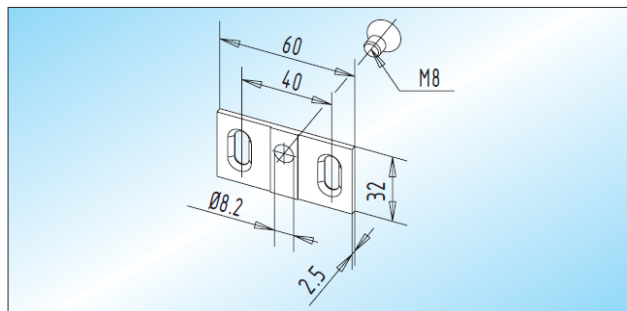
PT 22 - Top pivot patch fitting / RTS
top pivot patch fitting with insert
to suit concealed overhead closer (RTS)

Glass	
8-12 mm	30.104.0600.
15 mm	30.104.1200.
19 mm	30.104.1300.



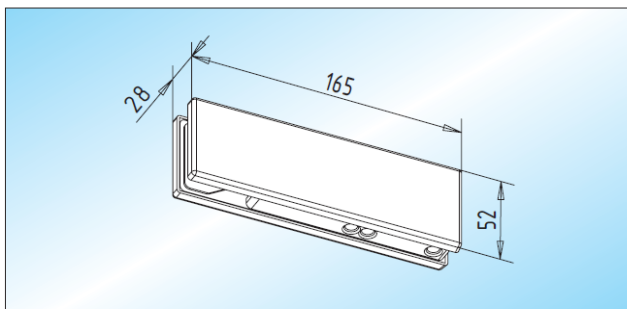
PT 30 - Transom pivot patch fitting
transom pivot patch fitting with \varnothing 15 mm pivot pin

Glass	
8-12 mm	30.110.0600.____
15 mm	30.110.1200.____
19 mm	30.110.1300.____



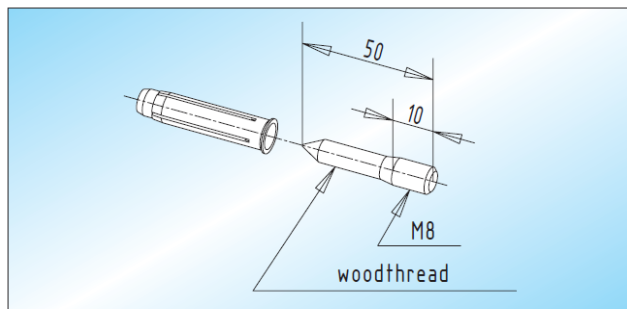
PT 30.3 - Fixing plate
wall fixing plate for use with transom pivot patch fitting PT 30 / PT 30.1 / PT 30.2

30.116.0000.____



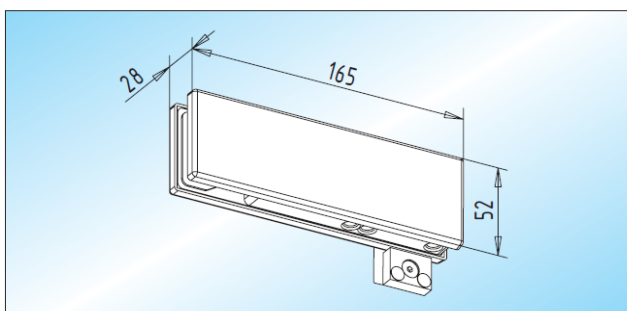
PT 30.1 - Transom pivot patch fitting
transom pivot patch fitting **without** pivot pin

Glass	
8-12 mm	30.112.0600.____
15 mm	30.112.1200.____
19 mm	30.112.1300.____



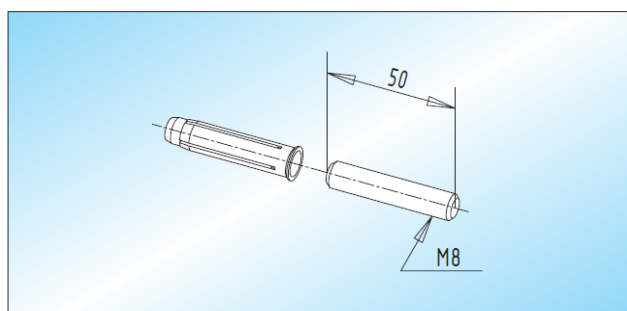
PT 30.4 - Fixing screw
galvanized wall fixing screw and plug for use with transom pivot patch fitting PT 30 / PT 30.1 / PT 30.2

30.118.0000.010



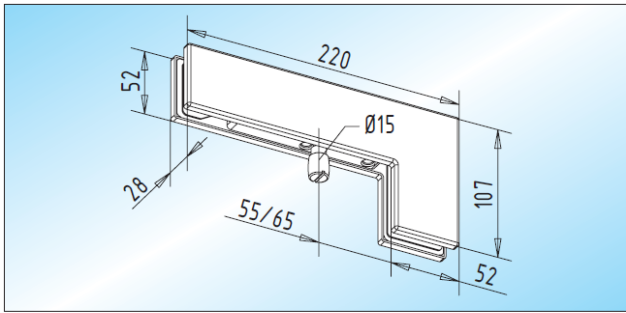
PT 30.2 - Transom pivot patch fitting
transom pivot patch fitting **with stop**
(without pivot pin)

Glass	left	right
8-12 mm	30.114.0610.____	30.114.0620.____
15 mm	30.114.1210.____	30.114.1220.____
19 mm	30.114.1310.____	30.114.1320.____



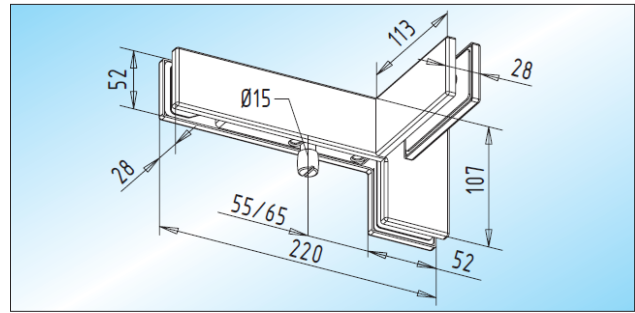
PT 30.5 - Threaded bolt
stainless steel threaded bolt and plug for use with transom pivot patch fitting PT 30 / PT 30.1 / PT 30.2

30.120.0000.405



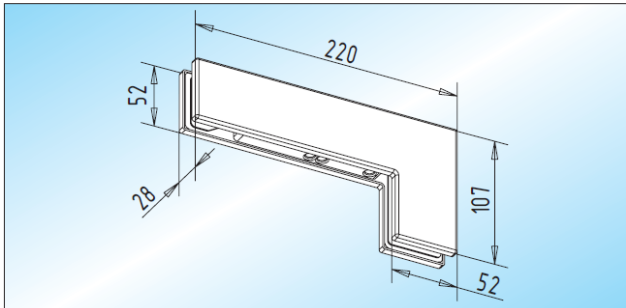
PT 40 - Transom / sidepanel pivot patch fitting
transom / sidepanel pivot patch fitting with $\varnothing 15$ mm pivot pin

Glass	
8-12 mm	30.130.0600. ___
15 mm	30.130.1200. ___
19 mm	30.130.1300. ___



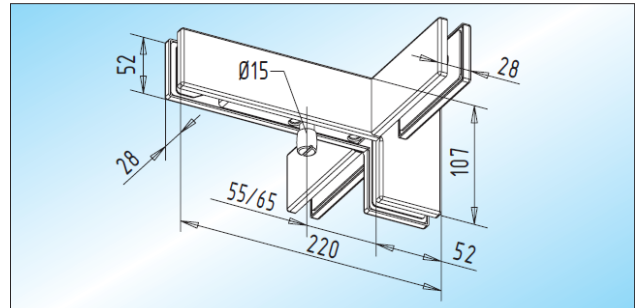
PT 41 - Transom / sidepanel pivot patch fitting / fin one-side
transom / sidepanel pivot patch fitting with $\varnothing 15$ mm pivot pin and fin one-side

Glass	left	right
8-12 mm	30.136.0610. ___	30.136.0620. ___
15 mm	30.136.1210. ___	30.136.1220. ___
19 mm	30.136.1310. ___	30.136.1320. ___



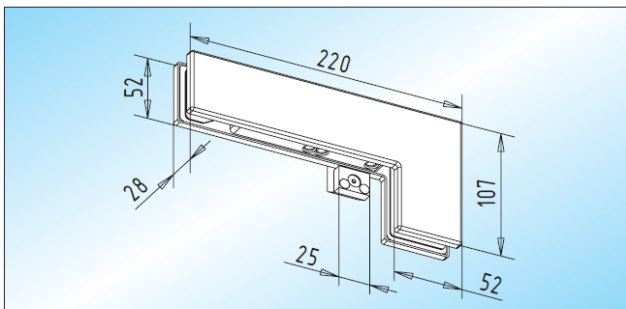
PT 40.1 - Transom / sidepanel connector
transom / sidepanel connector **without** pivot pin

Glass	
8-12 mm	30.132.0600. ___
15 mm	30.132.1200. ___
19 mm	30.132.1300. ___



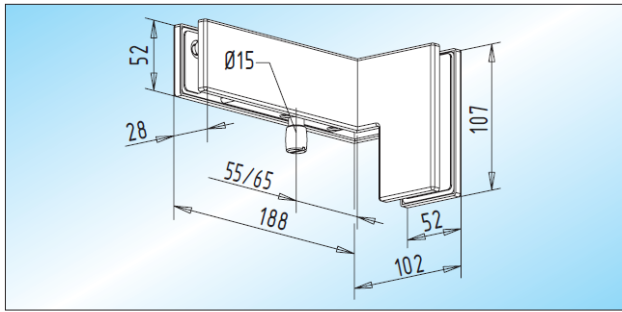
PT 41.1 - Transom / sidepanel pivot patch fitting / fin on both sides
transom / sidepanel pivot patch fitting with $\varnothing 15$ mm pivot pin and fin on both sides

Glass	
8-12 mm	30.138.0600. ___
15 mm	30.138.1200. ___
19 mm	30.138.1300. ___



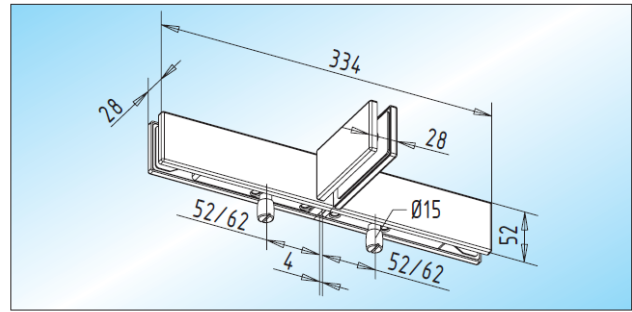
PT 40.2 - Transom / sidepanel connector
transom / sidepanel connector **with stop**
(without pivot pin)

Glass	left	right
8-12 mm	30.134.0610. ___	30.134.0620. ___
15 mm	30.134.1210. ___	30.134.1220. ___
19 mm	30.134.1310. ___	30.134.1320. ___



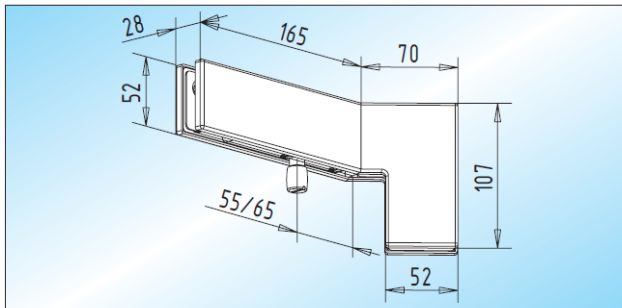
PT 42 - 90° Transom / sidepanel pivot patch fitting
90° transom / sidepanel pivot patch fitting
with \varnothing 15 mm pivot pin

Glass	left	right
8-12 mm	30.140.0610.____	30.140.0620.____
15 mm	30.140.1210.____	30.140.1220.____
19 mm	30.140.1310.____	30.140.1320.____



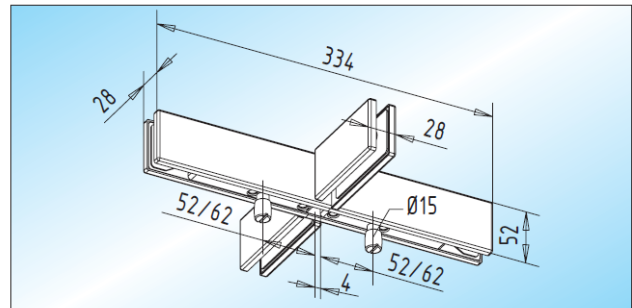
PT 51 - Transom pivot patch fitting / fin one-side
double transom pivot patch fitting
with \varnothing 15 mm pivot pin and fin one-side

Glass	
8-12 mm	30.146.0600.____
15 mm	30.146.1200.____
19 mm	30.146.1300.____



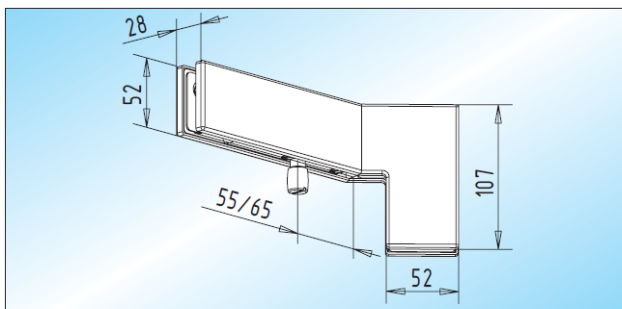
PT 42.1 - 135° Transom / sidepanel pivot patch fitting
135° transom / sidepanel pivot patch fitting
with \varnothing 15 mm pivot pin

Glass	left	right
8-12 mm	30.142.0610.____	30.142.0620.____
15 mm	30.142.1210.____	30.142.1220.____
19 mm	30.142.1310.____	30.142.1320.____



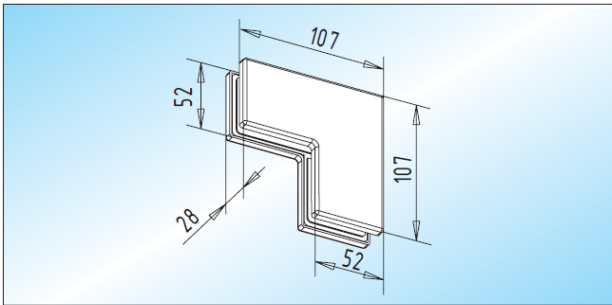
PT 51.1 - Transom pivot patch fitting / fin on both sides
double transom pivot patch fitting
with \varnothing 15 mm pivot pin and fin on both sides

Glass	
8-12 mm	30.148.0600.____
15 mm	30.148.1200.____
19 mm	30.148.1300.____



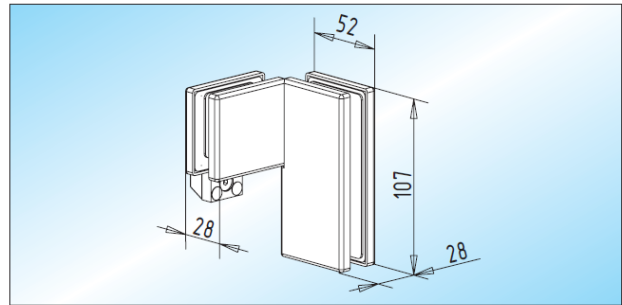
PT 42.2-Transom/sidepanel pivot patch fitting/91°-134°/136°-179°
transom / sidepanel pivot patch fitting 91°-134° / 136°-179°
angled with \varnothing 15 mm pivot pin. **Details of angle necessary!**

Glass	left	right
8-12 mm	30.144.0610.____	30.144.0620.____
15 mm	30.144.1210.____	30.144.1220.____
19 mm	30.144.1310.____	30.144.1320.____



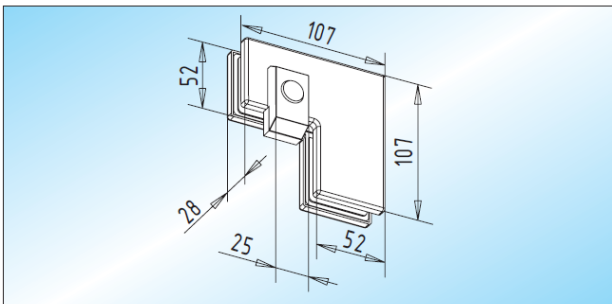
PT 60 - Transom / sidepanel connector
transom / sidepanel connector

Glass		
8-15 mm		30.200.0700. ___
19 mm		30.200.1300. ___



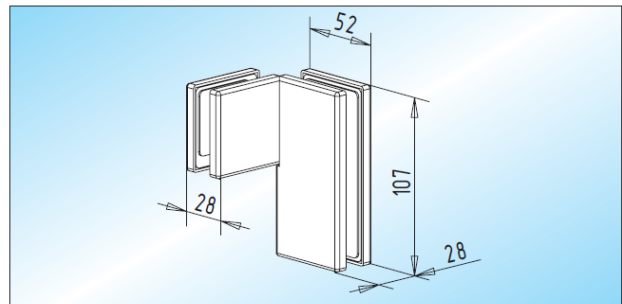
PT 63.1 - 90° Transom / sidepanel connector
90° transom / sidepanel connector with stop

Glass	stop	left	right
8-15 mm	inside	30.206.0713. ___	30.206.0723. ___
8-15 mm	outside	30.206.0714. ___	30.206.0724. ___
19 mm	inside	30.206.1313. ___	30.206.1323. ___
19 mm	outside	30.206.1314. ___	30.206.1324. ___



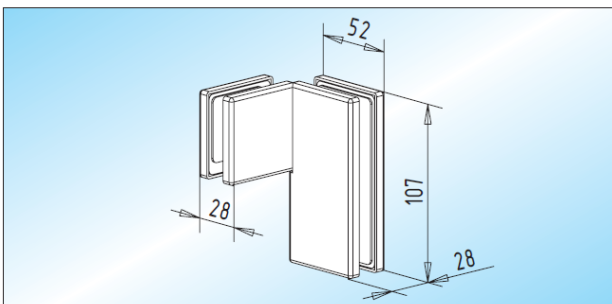
PT 61 - Transom / sidepanel connector
transom / sidepanel connector with stop

Glass	left	right
8-15 mm	30.202.0710. ___	30.202.0720. ___
19 mm	30.202.1310. ___	30.202.1320. ___



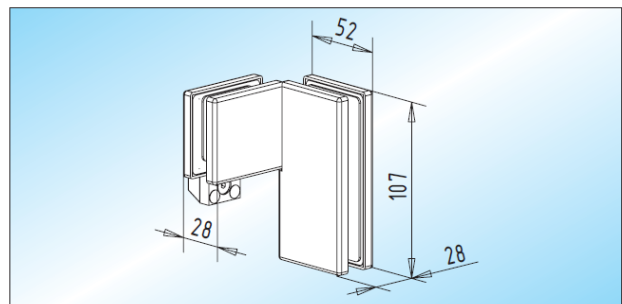
PT 63.2 - 135° Transom / sidepanel connector
135° transom / sidepanel connector
Glass preparation on request!

Glass	left	right
8-15 mm	30.208.0710. ___	30.208.0720. ___
19 mm	30.208.1310. ___	30.208.1320. ___



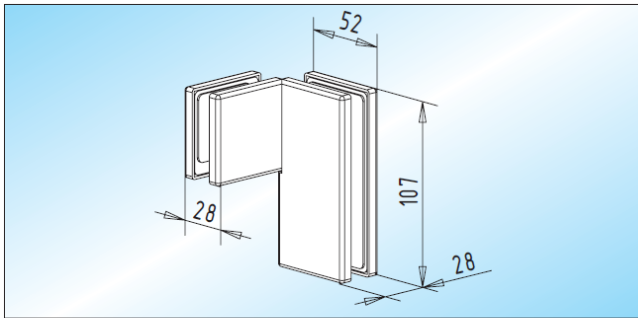
PT 63 - 90° Transom / sidepanel connector
90° transom / sidepanel connector

Glass	left	right
8-15 mm	30.204.0710. ___	30.204.0720. ___
19 mm	30.204.1310. ___	30.204.1320. ___



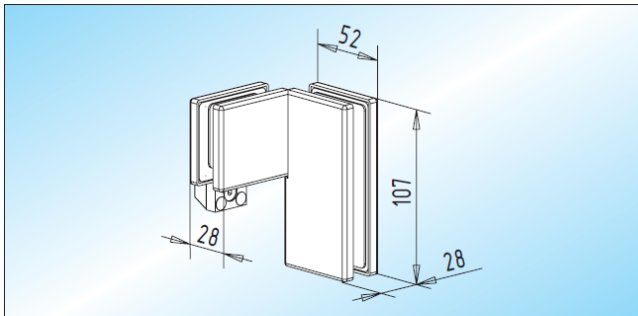
PT 63.3 - 135° Transom / sidepanel connector
135° transom / sidepanel connector with stop
Glass preparation on request!

Glass	stop	left	right
8-15 mm	inside	30.210.0713. ___	30.210.0723. ___
8-15 mm	outside	30.210.0714. ___	30.210.0724. ___
19 mm	inside	30.210.1313. ___	30.210.1323. ___
19 mm	outside	30.210.1314. ___	30.210.1324. ___



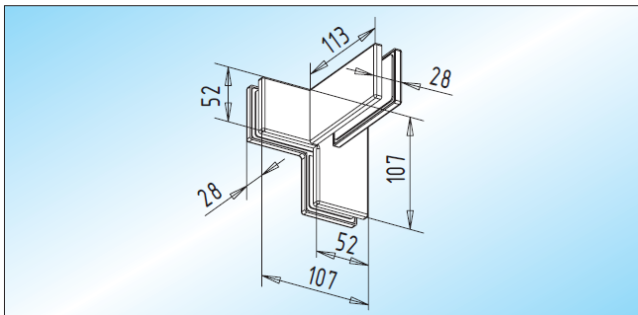
PT 63.4 - Transom / sidepanel connector / 91°-134° / 136°-179°
transom / sidepanel connector 91°-134° / 136°-179° angled
Details of angle necessary!

Glass	left	right
8-15 mm	30.212.0710.____	30.212.0720.____
19 mm	30.212.1310.____	30.212.1320.____



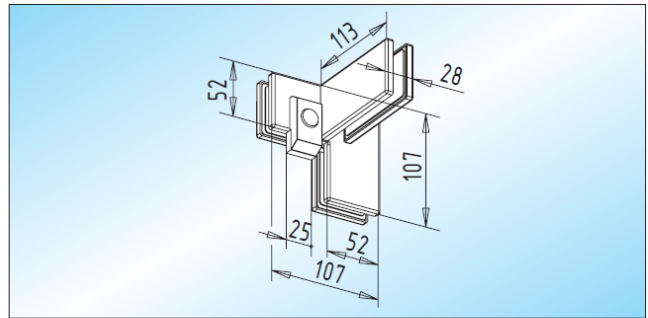
PT 63.5 - Transom / sidepanel connector / 91°-134° / 136°-179°
transom/sidepanel connector 91°-134° / 136°-179° angled,
with stop. Details of angle necessary!

Glass	stop	left	right
8-15 mm	inside	30.214.0713.____	30.214.0723.____
8-15 mm	outside	30.214.0714.____	30.214.0724.____
19 mm	inside	30.214.1313.____	30.214.1323.____
19 mm	outside	30.214.1314.____	30.214.1324.____



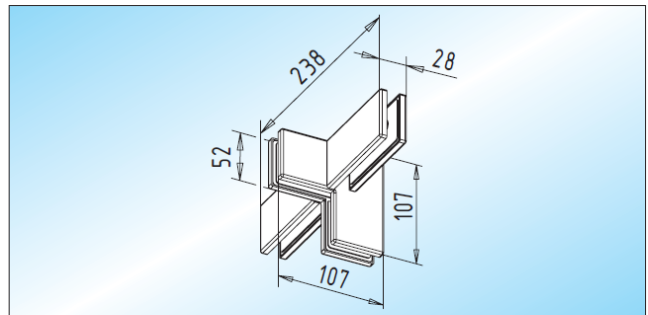
PT 65 - Transom / sidepanel connector / fin one-side
transom / sidepanel connector with fin one-side

Glass	left	right
8-15 mm	30.216.0710.____	30.216.0720.____
19 mm	30.216.1310.____	30.216.1320.____



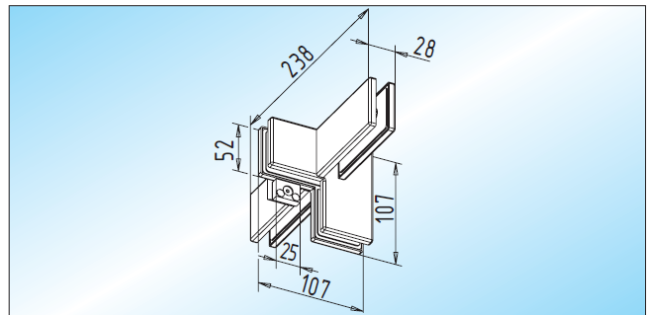
PT 65.1 - Transom / sidepanel connector / fin one-side
transom / sidepanel connector **with stop** and fin one-side

Glass	stop	left	right
8-15 mm	inside	30.218.0713.____	30.218.0723.____
8-15 mm	outside	30.218.0714.____	30.218.0724.____
19 mm	inside	30.218.1313.____	30.218.1323.____
19 mm	outside	30.218.1314.____	30.218.1324.____



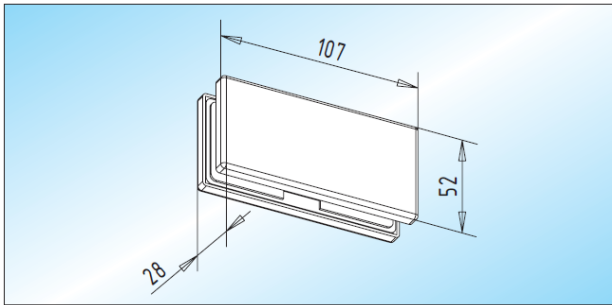
PT 65.2 - Transom / sidepanel connector / fin on both sides
transom / sidepanel connector with fin on both sides

Glass	
8-15 mm	30.220.0700.____
19 mm	30.220.1300.____



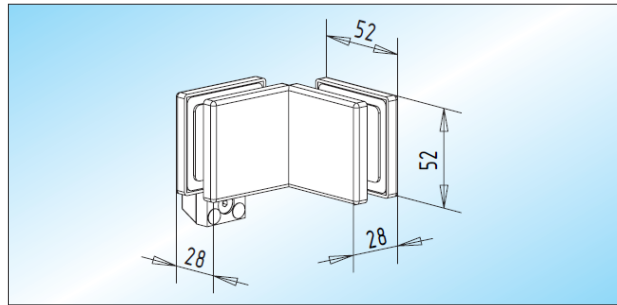
PT 65.3 - Transom / sidepanel connector / fin on both sides
transom / sidepanel connector **with stop** and fin on both sides

Glass	left	right
8-15 mm	30.222.0710.____	30.222.0720.____
19 mm	30.222.1310.____	30.222.1320.____



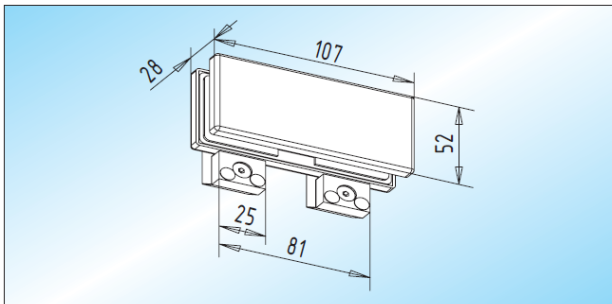
PT 70 - Transom connector
transom connector

Glass	
8-15 mm	30.300.0700. ___
19 mm	30.300.1300. ___



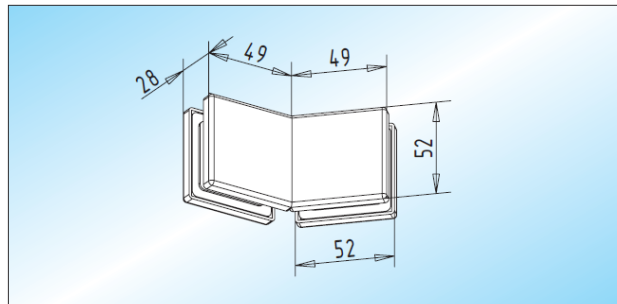
PT 73.1 - 90° Transom connector
90° transom connector with stop

Glass	stop	left	right
8-15 mm	inside	30.306.0713. ___	30.306.0723. ___
8-15 mm	outside	30.306.0714. ___	30.306.0724. ___
19 mm	inside	30.306.1313. ___	30.306.1323. ___
19 mm	outside	30.306.1314. ___	30.306.1324. ___



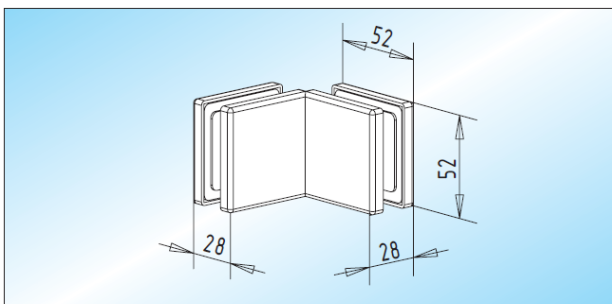
PT 72 - Transom connector
transom connector with stop

Glass	
8-15 mm	30.302.0700. ___
19 mm	30.302.1300. ___



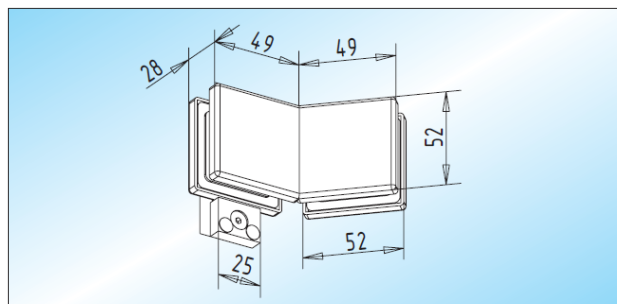
PT 73.2 - 135° Transom connector
135° transom connector
Glass preparation on request!

Glass	
8-15 mm	30.308.0700. ___
19 mm	30.308.1300. ___



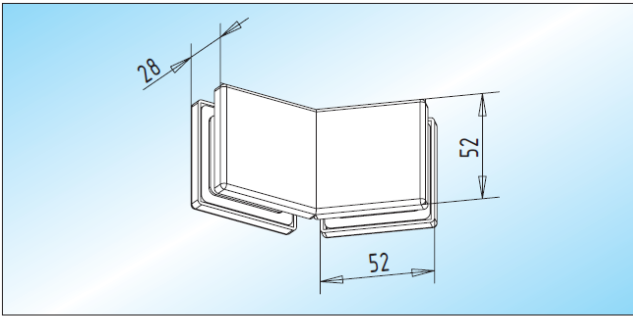
PT 73 - 90° Transom connector
90° transom connector

Glass	
8-15 mm	30.304.0700. ___
19 mm	30.304.1300. ___



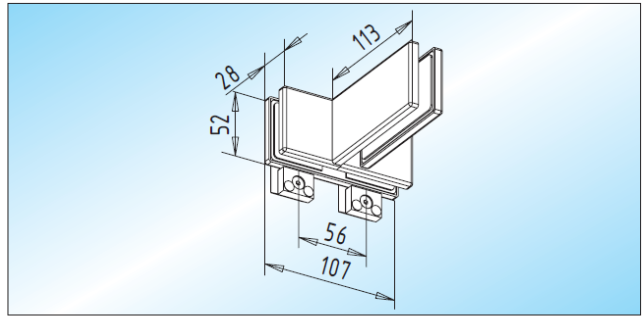
PT 73.3 - 135° Transom connector
135° transom connector with stop
Glass preparation on request!

Glass	stop	left	right
8-15 mm	inside	30.310.0713. ___	30.310.0723. ___
8-15 mm	outside	30.310.0714. ___	30.310.0724. ___
19 mm	inside	30.310.1313. ___	30.310.1323. ___
19 mm	outside	30.310.1314. ___	30.310.1324. ___



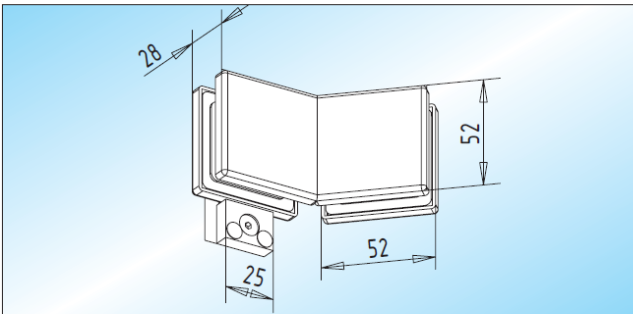
PT 73.4 - Transom connector / 91°-134° / 136°-179°
transom connector 91°-134° / 136°-179° angled
Details of angle necessary!

Glass	
8-15 mm	30.312.0700.____
19 mm	30.312.1300.____



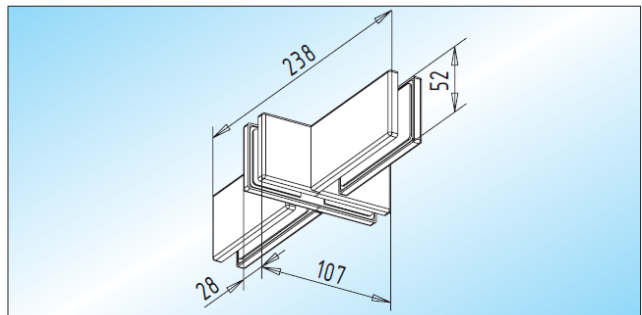
PT 71.1 - Transom connector / fin one-side
transom connector **with stop**
and fin one-side

Glass	stop	
8-15 mm	inside	30.318.0703.____
8-15 mm	outside	30.318.0704.____
19 mm	inside	30.318.1303.____
19 mm	outside	30.318.1304.____



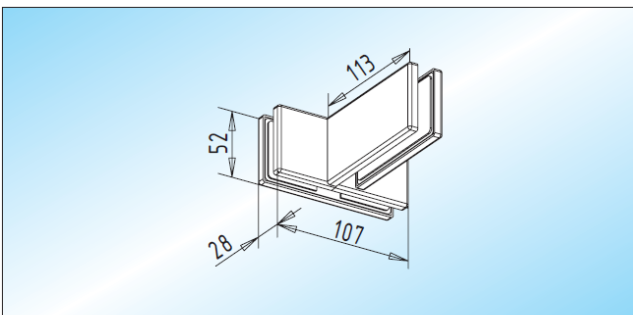
PT 73.5 - Transom connector / 91°-134° / 136°-179°
transom connector 91°-134° / 136°-179° angled, **with stop**
Details of angle necessary!

Glass	stop	left	right
8-15 mm	inside	30.314.0713.____	30.314.0723.____
8-15 mm	outside	30.314.0714.____	30.314.0724.____
19 mm	inside	30.314.1313.____	30.314.1323.____
19 mm	outside	30.314.1314.____	30.314.1324.____



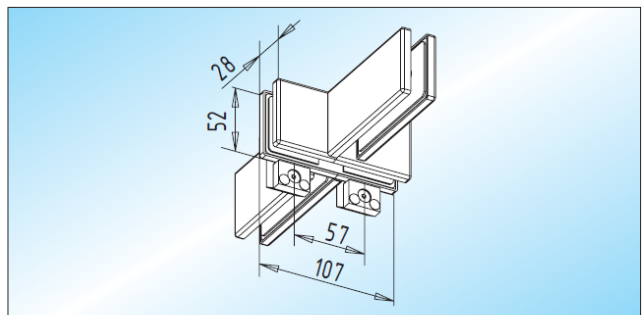
PT 71.2 - Transom connector / fin on both sides
transom connector with fin on both sides

Glass	
8-15 mm	30.320.0700.____
19 mm	30.320.1300.____



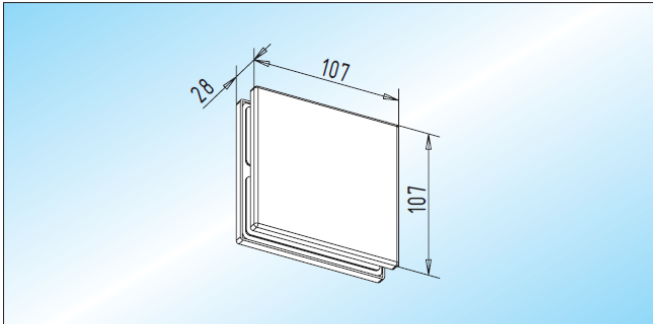
PT 71 - Transom connector / fin one-side
transom connector with fin one-side

Glass	
8-15 mm	30.316.0700.____
19 mm	30.316.1300.____



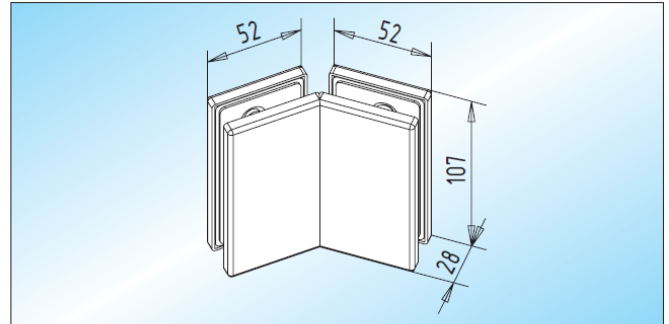
PT 71.3 - Transom connector / fin on both sides
transom connector **with stop**
and fin on both sides

Glass	
8-15 mm	30.322.0700.____
19 mm	30.322.1300.____



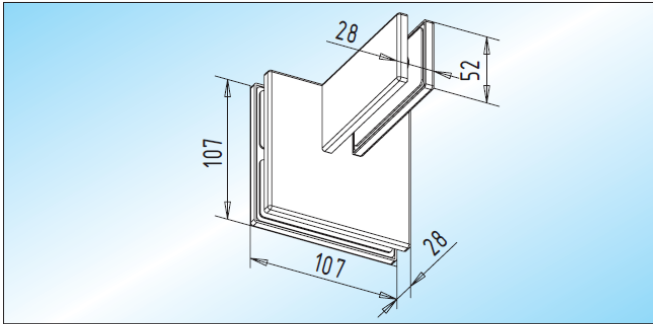
PT 80 - Glass/glass connector
glass/glass connector

Glass	
8-15 mm	30.400.0700. ___
19 mm	30.400.1300. ___



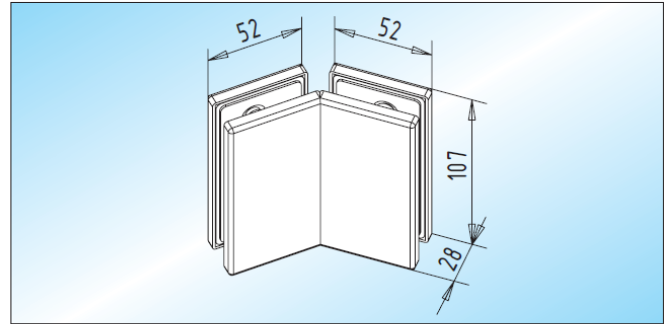
PT 82.1 - 135° Glass/glass connector
135° glass/glass connector

Glass	
8-15 mm	30.406.0700. ___
19 mm	30.406.1300. ___



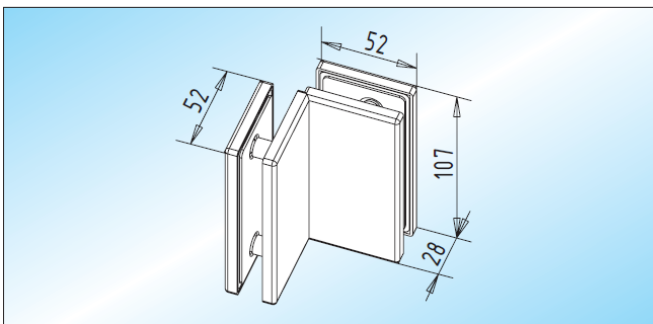
PT 81 - Glass/glass connector / fin one-side
glass/glass connector with fin one-side

Glass	
8-15 mm	30.402.0700. ___
19 mm	30.402.1300. ___



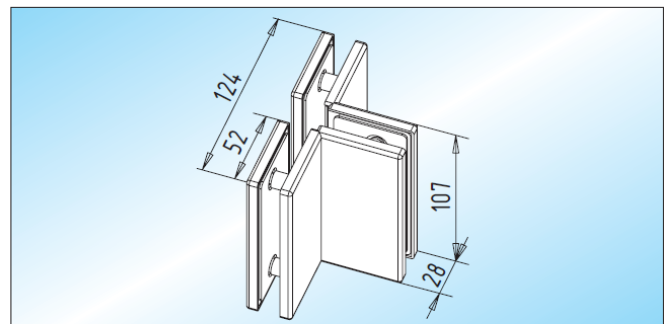
PT 82.2 - Glass/glass connector / 91°-134° / 136°-179°
glass/glass connector 91°-134° / 136°-179° angled
Details of angle necessary!

Glass	
8-15 mm	30.408.0700. ___
19 mm	30.408.1300. ___



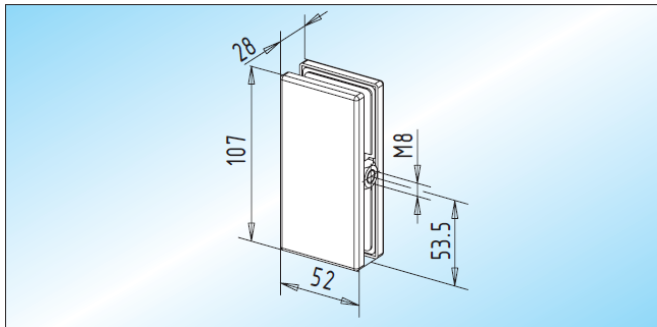
PT 82 - 90° Glass/glass connector
90° glass/glass connector

Glass	
8-15 mm	30.404.0700. ___
19 mm	30.404.1300. ___



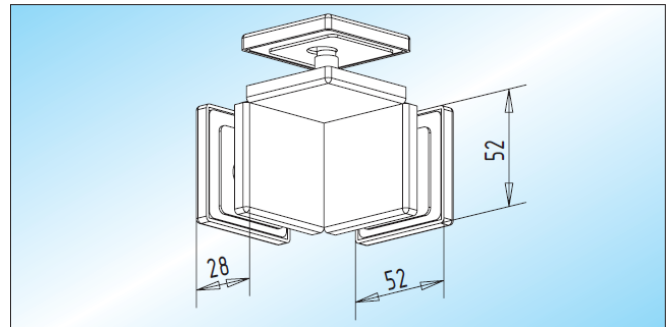
PT 83 - Glass/glass connector
glass/glass connector

Glass	
8-15 mm	30.410.0700. ___
19 mm	30.410.1300. ___



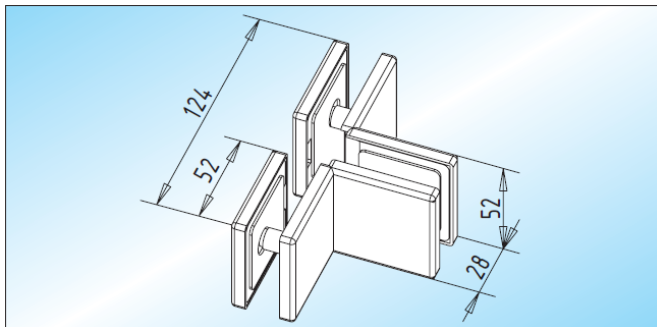
PT 84 - Glass/wall connector
glass/wall connector

Glass	
8-15 mm	30.412.0700.____
19 mm	30.412.1300.____



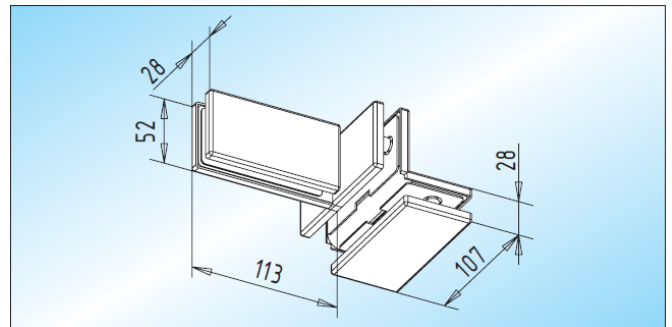
PT 92 - Glass/glass roof connector
glass/glass roof connector

Glass	
8-15 mm	30.502.0700.____
19 mm	30.502.1300.____



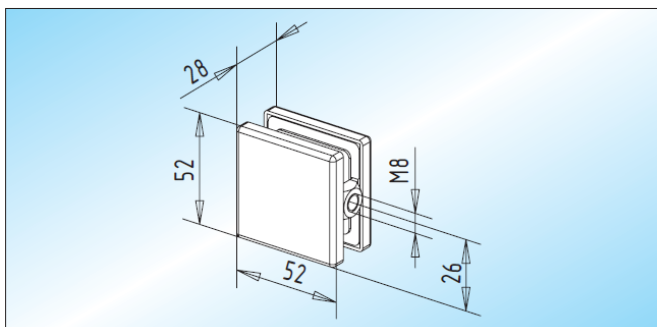
PT 74 - Glass/glass connector
glass/glass connector

Glass	
8-15 mm	30.414.0700.____
19 mm	30.414.1300.____



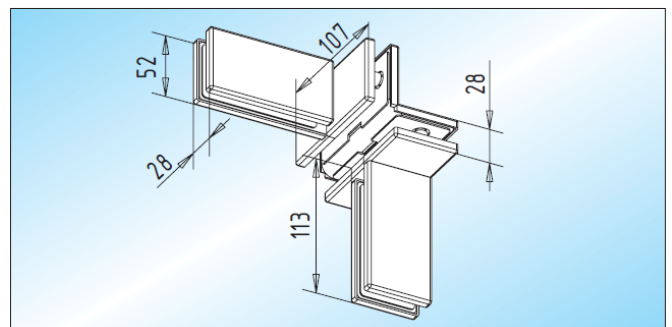
PT 93 - Transom / roof connector / fin one-side
transom / roof connector with fin one-side

Glass	
8-15 mm	30.504.0700.____
19 mm	30.504.1300.____



PT 90 - Glass/wall connector
glass/wall connector

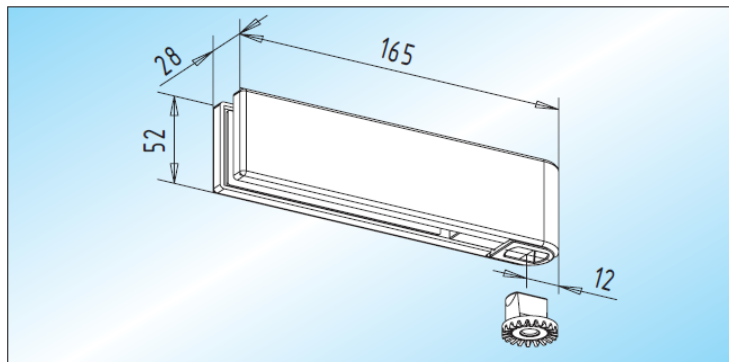
Glass	
8-15 mm	30.500.0700.____
19 mm	30.500.1300.____



PT 94 - Transom / roof connector / fin on both sides
transom / roof connector with fin on both sides

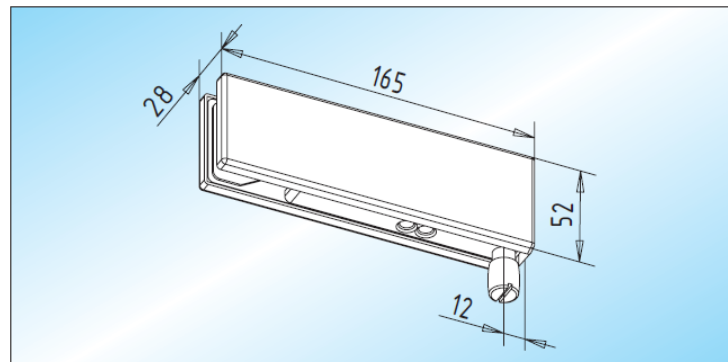
Glass	
8-15 mm	30.506.0700.____
19 mm	30.506.1300.____

15 mm Pivot point (pinch free)



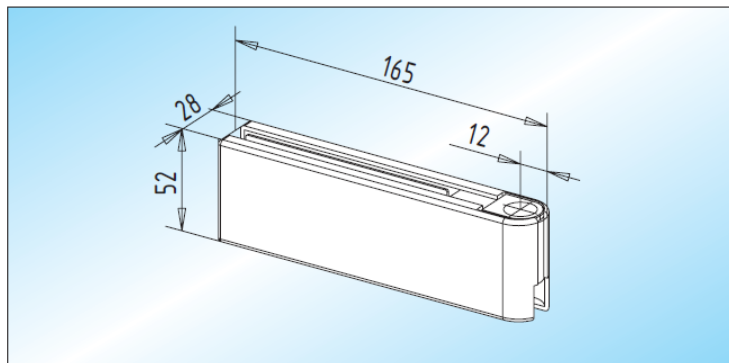
PT 10 / 15 - Bottom pivot patch fitting
bottom pivot patch fitting with special flat-tapered pivot to suit "GEZE" floor springs

Glass	
8-12 mm	30.600.0600. ____



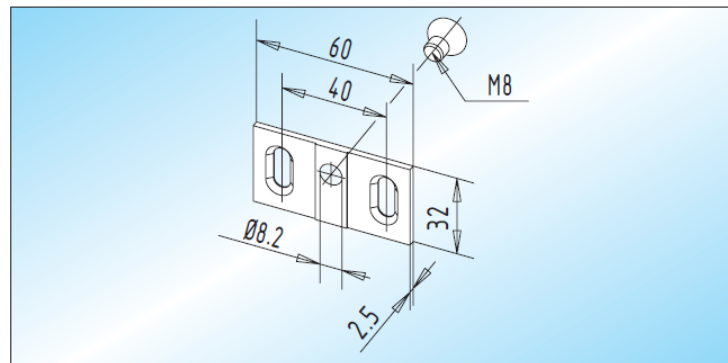
PT 30 / 15 - Transom pivot patch fitting
transom pivot patch fitting with \varnothing 15 mm pivot pin

Glass	
8-12 mm	30.604.0600. ____



PT 20 / 15 - Top pivot patch fitting
top pivot patch fitting with insert for \varnothing 15 mm pivot pin

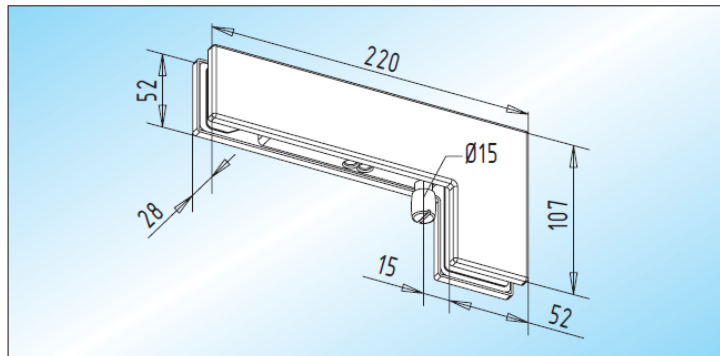
Glass	
8-12 mm	30.602.0600. ____



PT 30.3 - Fixing plate
wall fixing plate for use with transom pivot patch fitting PT 30 / 15

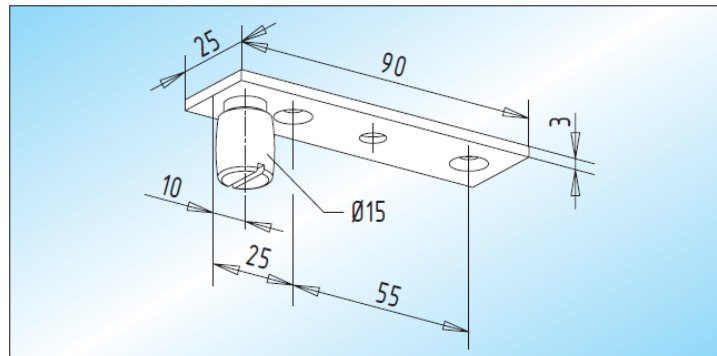
	30.116.0000. ____
--	-------------------

15 mm Pivot point (pinch free)



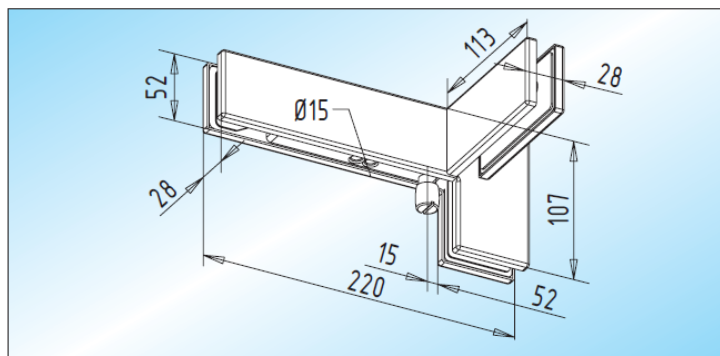
PT 40 / 15 - Transom / sidepanel pivot patch fitting
transom / sidepanel pivot patch fitting
with \varnothing 15 mm pivot pin

Glass	
8-12 mm	30.606.0600. ____



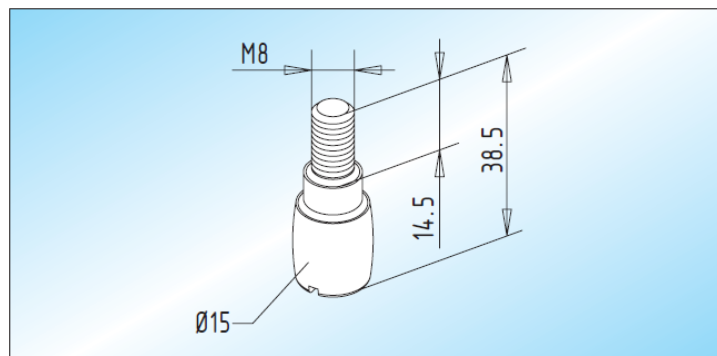
PT 24 / 15 - Top centre
top centre with fixing plate in stainless steel

	30.610.0000.426
--	-----------------



PT 41 / 15 - Transom / sidepanel pivot patch fitting / fin one-side
transom / sidepanel pivot patch fitting with \varnothing 15 mm
pivot pin and fin one-side

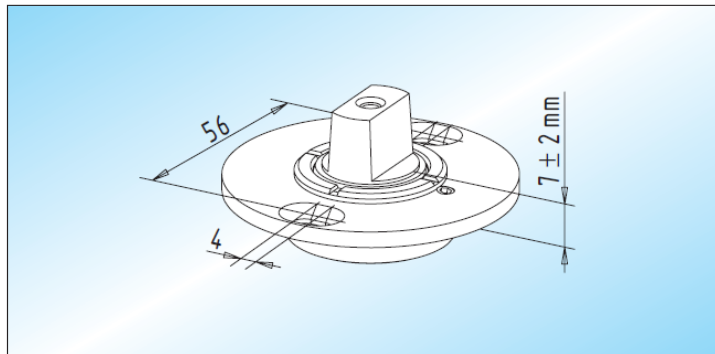
Glass	left	right
8-12 mm	30.608.0610. ____	30.608.0620. ____



PT 25 - Top centre
stainless steel top centre with M8 threaded rod

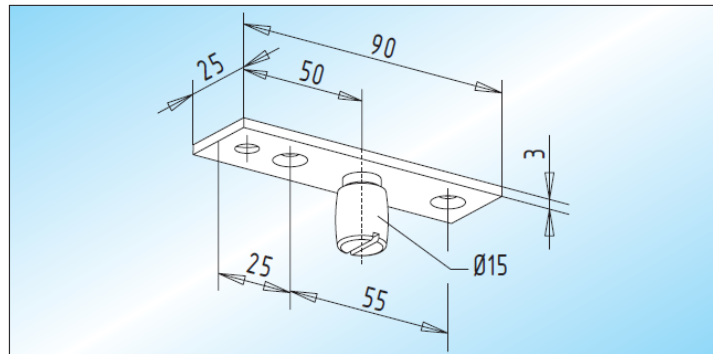
	30.128.0000.405
--	-----------------

Accessories



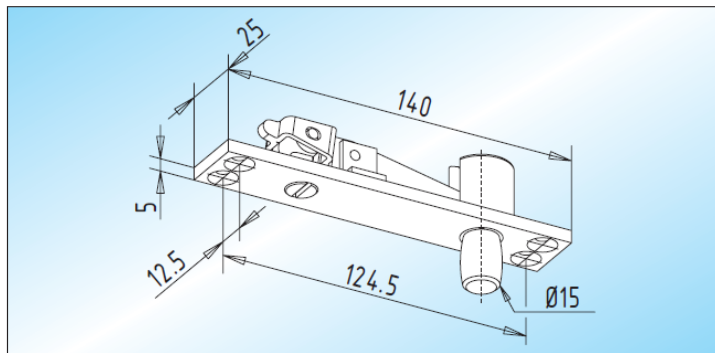
PT 11 - Free swing floor pivot
height-adjustable, galvanized free swing floor pivot

30.122.0000.010



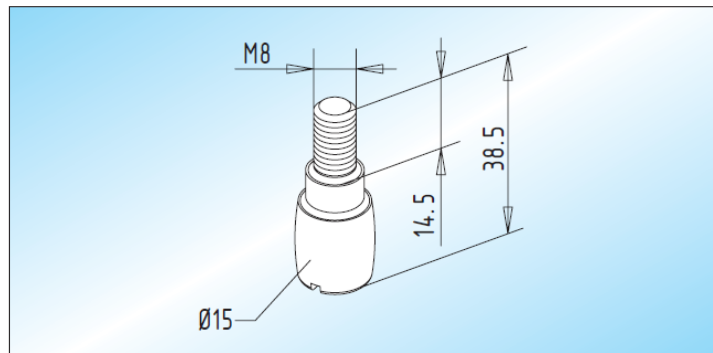
PT 24 - Top centre
top centre with fixing plate in stainless steel

30.126.0000.426



PT 21 - Top centre / retractable
galvanized retractable top centre with fixing plate

30.124.0000.010



PT 25 - Top centre
stainless steel top centre with M8 threaded rod

30.128.0000.405

